

ESKA

www.eskavalve.com



ERG-E
SERIES

INTRODUCTORY

ERG-E series gas pressure regulators are used in the gas lines in order to reduce maximum 1 bar input pressure to the desired output pressure between 16 and 150 mbar. The range of the output pressure can be set with the choice of a different spring. The regulator with safety stopping gets automatically active and stops the gas flow in case that the input pressure gets higher or lower than the adjusted value in order to ensure the safety of the devices used in the system thanks to the safe stopping system it includes.



ERG-E 1015 - 1020 - 1025

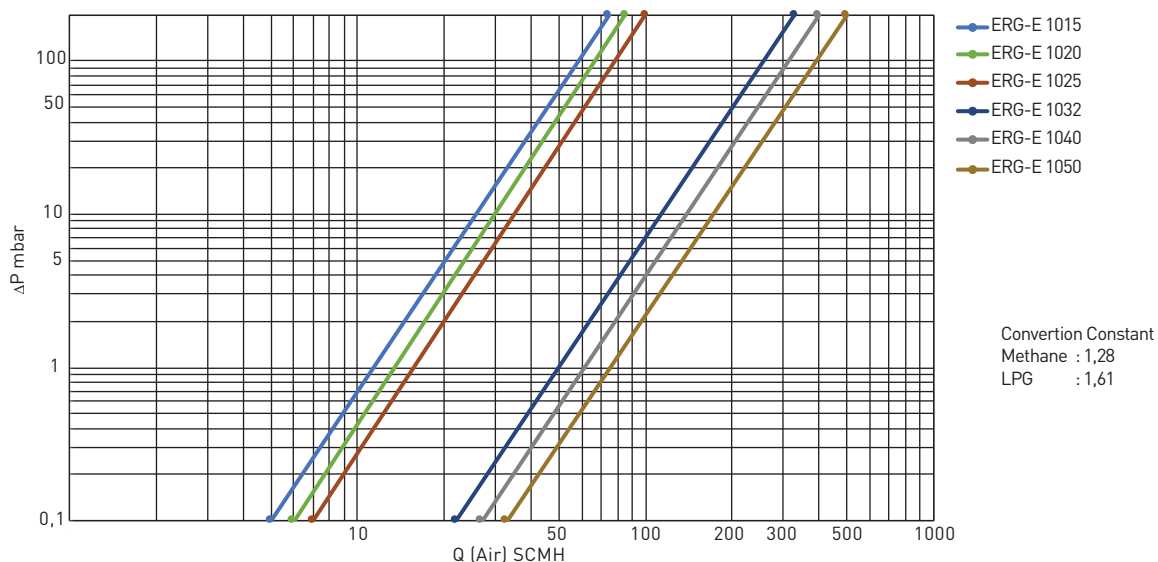


ERG-E 1032 - 1040 - 1050

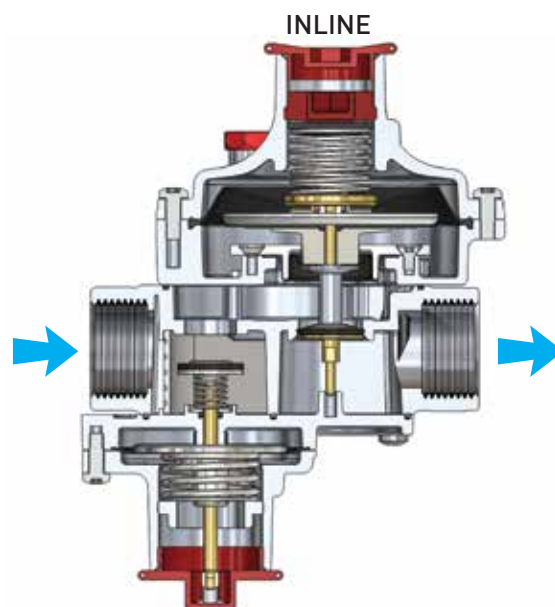
TECHNICAL INFORMATION

- Usage : City gas networks and gas pipelines in industrial areas
- Medium : Non-corrosive gases such as Natural Gas (Methane), LPG, Town Gas, Air, etc...
- Pressure Class : PN1
- Connection or Port Size : 1/2", 3/4", 1", 1 1/4", 1 1/2", 2" Threaded (Female)
- Inlet Pressure Range : 50 mbar up to 1 bar
- Outlet Pressure Range : 16 mbar up to 150 mbar
- Filter : Optional
- Number of Stages : Single Stage
- Accuracy Class : AC 10 ($\pm 10\%$) (On Request AC5, AC15, AC20)
- Lock Up Pressure Class : SG30 (+ 30%) (On Request SG10, SG20)
- Ambient Temperature : -20°C up to 60°C (On request -40 °C)
- OPSO Pressure Range : 30 mbar up to 200 mbar
- OPSO Pressure Tolerance : 20%
- UPSO Pressure Range : 12 mbar up to 40 mbar
- UPSO Pressure Tolerance : 20%
- Shut Off Time : Less than 1 second
- Structural Additional Features : With Shutoff
- Material Standard : Aluminum-EN 1706 / Brass-EN 12164 and EN 12165 / Rubber-EN 549
- According to Directives : 2014/68/EU

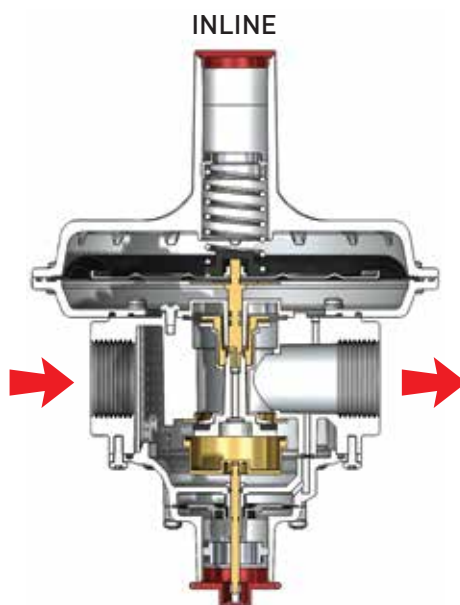
ERG-E SERIES CAPACITY GRAPH



CONFIGURATIONS AND CONNECTION TYPES



ERG-E 1015 - 1020 - 1025

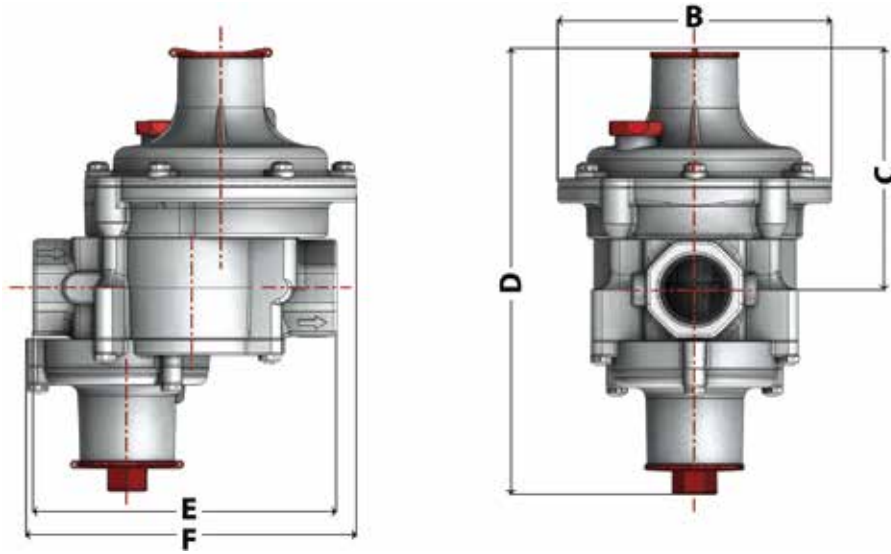


ERG-E 1032 - 1040 - 1050

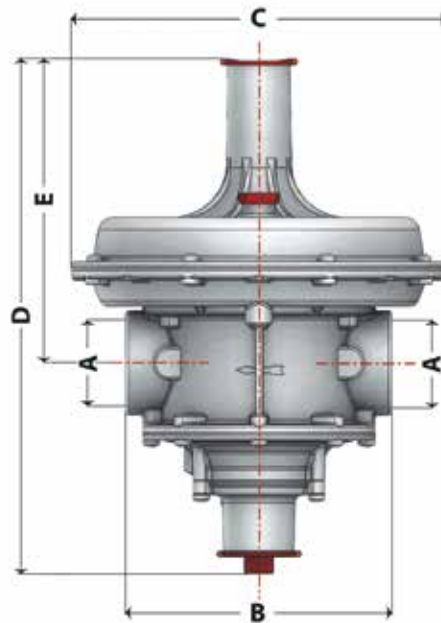
CONNECTION	OUTLET PRESSURE (21mbar)
1/2"	20 m ³ /h
3/4"	25 m ³ /h
1"	35 m ³ /h
1 1/4"	85 m ³ /h
1 1/2"	100 m ³ /h
2"	120 m ³ /h

FLOW RATE TABLE (FOR NATURAL GAS) AT INLET PRESSURE 300 mbar ACCURACY CLASS AC10

DIMENSIONS



MODEL	A	B	C	D	E	F
ERG-E 1015	1/2"	122	106	198	136	146
ERG-E 1020	3/4"	122	106	198	136	146
ERG-E 1025	1"	122	106	198	136	146



MODEL	A	B	C	D	E
ERG-E 1032	1 1/4"	160	225	311	183
ERG-E 1040	1 1/2"	160	225	311	183
ERG-E 1050	2"	162	225	333	192